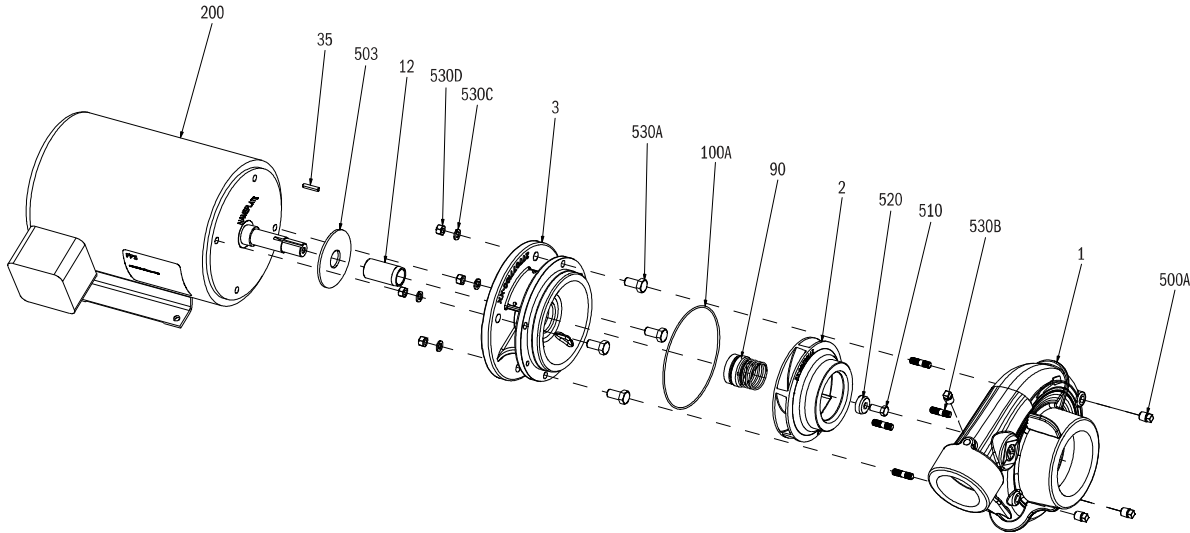


CENTRIFUGAL PUMPS

CLOSE-COUPLED AG SERIES

☰ MENU



Repair Parts		A3x4-6 (3600 RPM)		AL3x4-6 (1800 RPM)		Mechanical Seal Construction	
		Figure No.	Part Description	Repair No. 4.5AK Models	Repair No. 8.5AK Models	Materials of Construction	
1	Volute Case (NPT) w/plugs	305567001			Cast iron, ASTM-A48 CL30		
Not Shown	Volute Case (Flange) w/plugs	305567002			Cast iron, ASTM-A48 CL30		
2	Impeller, 3 hp 4-pole, 6.438" trim (.875 bore)	305567011	N/A		CA6NM stainless steel		
2	Impeller, 5 hp 2-pole, 4.38" trim (.875 bore)	305567013	N/A		CA6NM stainless steel		
2	Impeller, 7.5 hp 2-pole 1 hp 4-pole, 5.063" trim (.875 bore)	305567003			CA6NM stainless steel		
2	Impeller, 10 hp 2-pole, 1.5 hp 4-pole, 5.312" trim (.875 bore)	305567004			CA6NM stainless steel		
2	Impeller, 15 hp 2-pole, 2 hp 4-pole, 5.938" trim (.875 bore)	305567005			CA6NM stainless steel		
2	Impeller, 20 hp 2-pole 6.438" trim (1.250 bore)	N/A	305567006		CA6NM stainless steel		
3	Motor Bracket	305564005	305564008		Cast iron, ASTM-A48 CL30		
3	Motor Bracket, 20 hp	N/A	305567007		Cast iron, ASTM-A48 CL30		
12	Sleeve, Mechanical Seal	305463227			416 stainless steel		
12	Sleeve, Mechanical Seal, 20 hp	N/A	305463233		416 stainless steel		
35	Key, Impeller Shaft	305463001			301 stainless steel		
90	Mechanical Shaft Seal	305463002			Carbon/ceramic/nitrile/316 stainless steel		
90	Mechanical Shaft Seal, 20 hp	N/A	305463012		Carbon/ceramic/nitrile/316 stainless steel		
100A	O-Ring, Volute Case (2-pack)	305463004			Nitrile		
500A	Pipe Plug (4-pack)	305463020			Zinc-plated steel		
503	Slinger	305450007			Neoprene		
503	Slinger, 20 hp	N/A	305463204		Neoprene		
510	Hex Cap Screw, Impeller	305463006			410 stainless steel		
510	Hex Cap Screw, Impeller, 20 hp	N/A	305463024		17-4 stainless steel		
520	Washer, Impeller	305463228			300 series stainless steel		
520	Washer, impeller, 20 hp	N/A	305463234		300 series stainless steel		
530A	Hex Cap Screw, Motor Bracket (12 Pack)	305463010	305463026		Zinc-plated steel		
530B	Studs, Volute Case (4 Pack)	305463229			Zinc-plated steel		
530C	Lockwashers, Volue Case (6 Pack)	305463135			Zinc-plated steel		
530D	Nut, Volute Case	305463033			Zinc-plated steel		

MOTOR FITMENT

Figure No.	3600	1800	Frame	AK	Shaft Dia	Mtr Code
200	5-7.5HP	1-3HP	143-184JM	4.5	0.875	JM-1
	5-10 HP	-	213-215JM	8.5	0.875	JM-2
	20HP	-	254-256JM	8.5	1.25	JM-3

Refer to motor specifications page for replacement information
 Motor Frame can be determined by the pump order number and or motor nameplate

CENTRIFUGAL PUMPS

CLOSE-COUPLED AG SERIES

☰ MENU

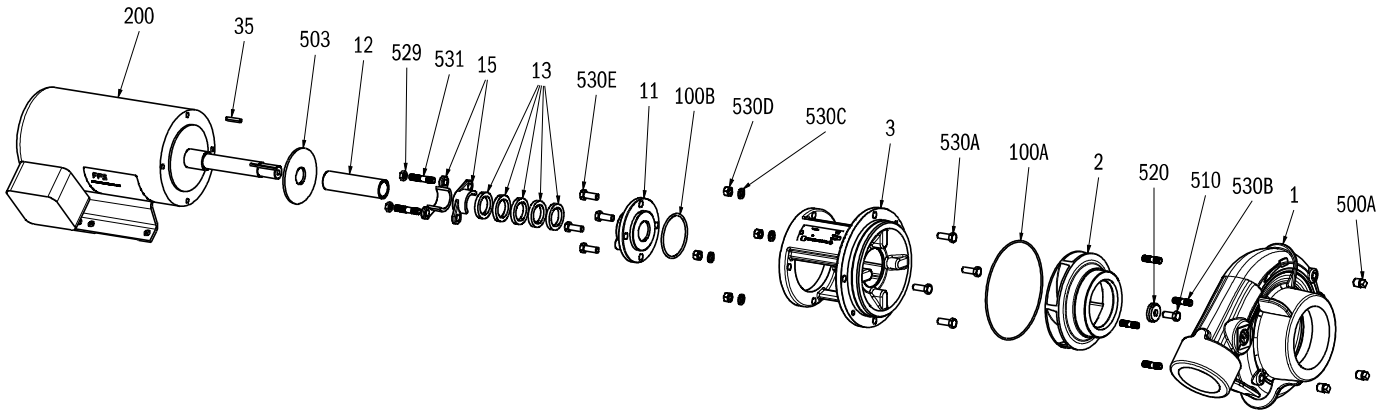


Figure No.	Repair Parts	A3x4-6 (3600 RPM)		Packing Seal Construction	
		Repair No.		Materials of Construction	
		4.5AK Models	8.5AK Models		
1	Volute Case (NPT) w/plugs	305567001		Cast iron, ASTM-A48 CL30	
Not Shown	Volute Case (Flange) w/plugs	305567002		Cast iron, ASTM-A48 CL30	
2	Impeller, 7.5 hp 3ph 5.063" trim (.875 Bore)	305567003	n/a	CA6NM stainless steel	
2	Impeller, 7.5 hp 1ph 5.063" trim (1.250 Bore)	n/a	305567008	CA6NM stainless steel	
2	Impeller, 10 hp 5.312" trim (1.250 Bore)	n/a	305567009	CA6NM stainless steel	
2	Impeller, 15 hp 5.938" trim (1.250 Bore)	n/a	305567010	CA6NM stainless steel	
2	Impeller, 20 hp 6.438" trim (1.250 Bore)	n/a	305567006	CA6NM stainless steel	
3	Motor Bracket	305564006	305564009	Cast iron, ASTM-A48 CL30	
11	Packing Seal Box	305447004	305448005	Cast iron, ASTM-A48 CL30	
12	Sleeve, Shaft	305448006	305464010	416 stainless steel	
13	Packing Ring Set	305447006	305448009	Graphite/cotton	
14	Lantern Ring	n/a	305448010	Teflon	
15	Packing Gland (2-Piece)	305447007	305448011	316 stainless steel	
35	Key, Impeller Shaft	305463001	305450006	301 stainless steel	
100A	O-Ring, Volute Case (2-pack)	305463004		Nitrile	
100B	O-Ring, Seal Box (2-pack)	305463003	305463013	Nitrile	
500A	Pipe Plug (4-pack)	305463020		Zinc-plated steel	
502	Grease fitting	n/a	305463015	Zinc-plated steel	
503	Slinger	305450007	305447008	Neoprene	
510	Hex Cap Screw, Impeller	305463006	305463024	410 stainless steel/17-4 stainless steel	
520	Washer, Impeller	305463228	305463230	300 series stainless steel	
529	Nut, Packing Gland (4-pack)	305463007		Zinc-plated steel	
530A	Hex Cap Screw, Motor Bracket (12 Pack)	305463010	305463016	Zinc-plated steel	
530B	Stud, Volute Case (4 Pack)	305463229		Zinc-plated steel	
530C	Lockwashers, Volute Case (6 Pack)	305463135		Zinc-plated steel	
530D	Nut, Volute Case	305463033		Zinc-plated steel	
530E	Hex Cap Screw, Seal Box (12-pack)	305463010		Zinc-plated steel	
531	Stud, Packing Gland (4-pack)	305463008		Zinc-plated steel	

MOTOR FITMENT

Figure No.	3600	Frame	AK	Shaft Dia	Mtr Code
200	7.5HP	145-184JP	4.5	0.875	JP-1
	7.5 - 20HP	213-256JP	8.5	1.25	JP-2

Refer to motor specifications page for replacement information
 Motor Frame can be determined by the pump order number and or motor nameplate

CENTRIFUGAL PUMPS

CLOSE-COUPLED AG SERIES

☰ MENU

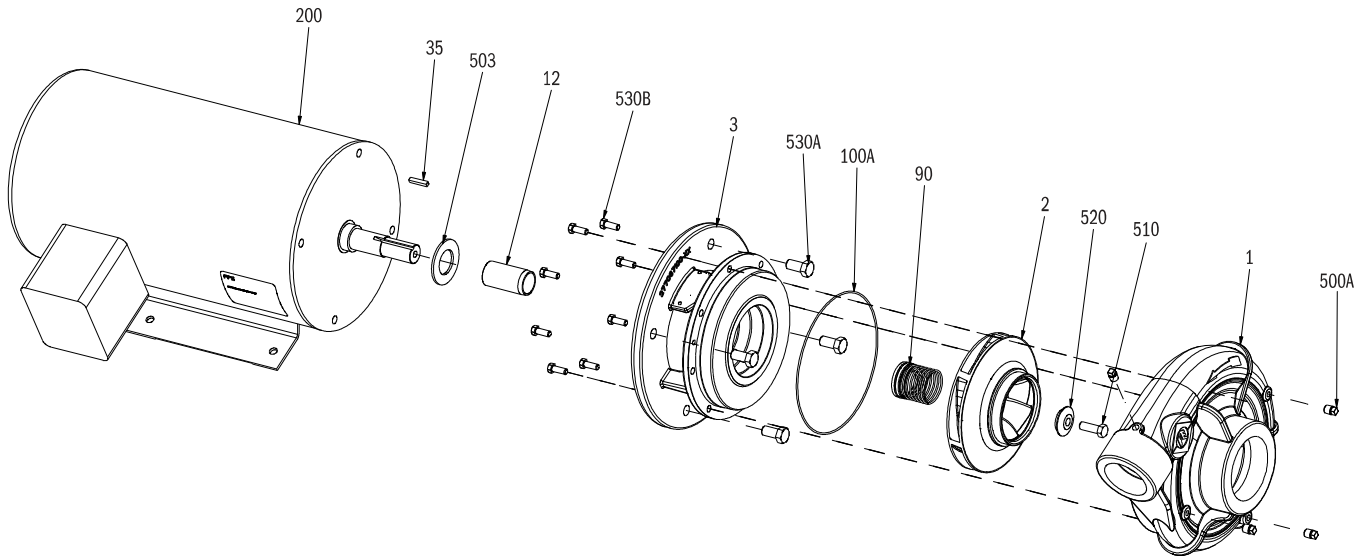


Figure No.	Part Description	Mechanical Seal Construction			Materials of Construction
		4.5AK	8.5AK	12.5AK	
1	Volute Case (NPT) w/plugs	305565001			Cast iron, ASTM-A48 CL30
Not Shown	Volute Case (Flange) w/plugs	305565002			Cast iron, ASTM-A48 CL30
2	Impeller, 5 hp 4-pole, 6.875" trim (0.875 bore)	305565015	N/A	N/A	Cast iron, ASTM-A48 CL30
2	Impeller, 5 hp 4-pole, 7.312" trim (0.875 bore)	305565010	N/A	N/A	Cast iron, ASTM-A48 CL30
2	Impeller, 7.5 hp 4-pole, 7.875" trim (0.875 bore)	N/A	305565016	N/A	Cast iron, ASTM-A48 CL30
2	Impeller, 7.5 hp 4-pole, 8.562" trim (0.875 bore)	N/A	305565011	N/A	Cast iron, ASTM-A48 CL30
2	Impeller, 10 hp 4-pole, 9.00" trim (0.875 bore)	N/A	305565012	N/A	Cast iron, ASTM-A48 CL30
2	Impeller, 30 hp 2-pole, 6.875" trim (1.250 bore)	N/A	N/A	305565003	Cast iron, ASTM-A48 CL30
2	Impeller, 40 hp 2-pole, 7.312" trim (1.250 bore)	N/A	N/A	305565004	Cast iron, ASTM-A48 CL30
2	Impeller, 50 hp 2-pole, 7.875" trim (1.250 bore)	N/A	N/A	305565005	Cast iron, ASTM-A48 CL30
2	Impeller, 60 hp 2-pole, 8.562" trim (1.250 bore)	N/A	N/A	305565006	Cast iron, ASTM-A48 CL30
2	Impeller, 75 hp 2-pole, 9.000" trim (1.250 bore)	N/A	N/A	305565009	Cast iron, ASTM-A48 CL30
3	Bracket, Motor	305565013	305565014	305565007	Cast iron, ASTM-A48 CL30
12	Sleeve, Mechanical Seal	305463227		305463231	416 stainless steel
35	Key, Impeller Shaft	305453028		305450006	301 stainless steel
90	Mechanical Shaft Seal	305463002		305463017	Carbon/ceramic/nitrile/316 stainless steel
100A	O-Ring, Volute Case (2-pack)	305463232			Nitrile
500A	Pipe Plug (4-pack)	305463020			Zinc-plated steel
503	Slinger	305450007		305447008	Neoprene
510	Hex Cap Screw, Impeller	305463006		305463185	410 stainless steel/17-4 stainless steel
520	Washer, Impeller	305447009		305463255	300 series stainless steel
530A	Hex Cap Screw, Motor Bracket (12 Pack)	305463010	305463016	305463208	Zinc-plated steel
530B	Hex Cap Screw, Volute Case (12 Pack)	305463010			Zinc-plated steel

MOTOR FITMENT

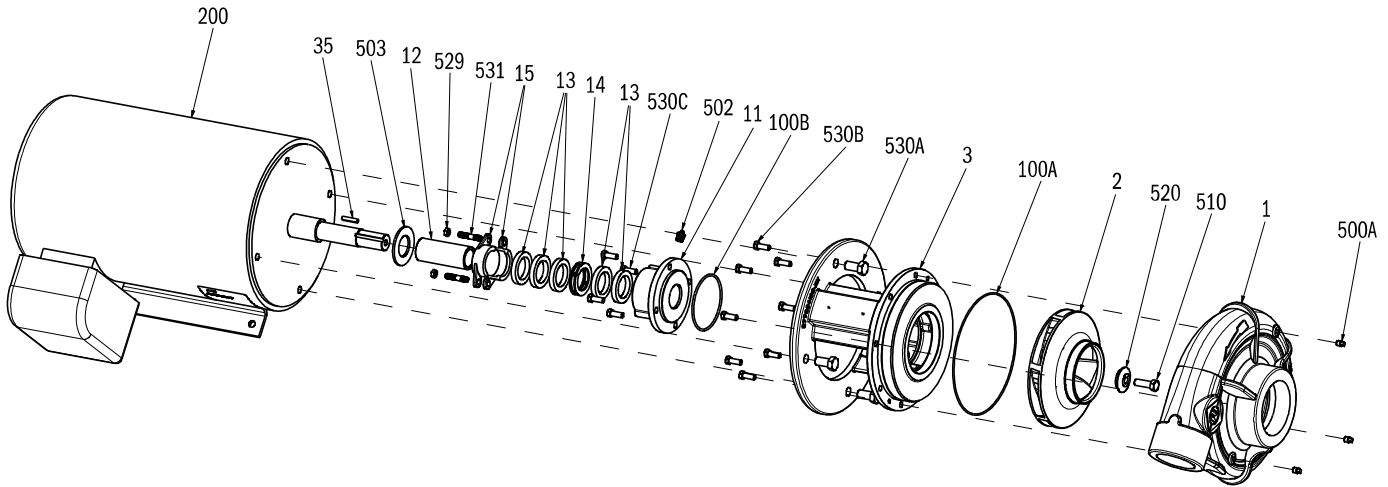
Figure No.	3600	1800	Frame	AK	Shaft Dia	Mtr Code
200	-	5HP	143-184JM	4.5	0.875	JM-1
	-	5 - 7.5HP	213-215JM	8.5	0.875	JM-2
	30 - 75HP	-	284-365JM	12.5	1.25	JM-4

Refer to motor specifications page for replacement information
 Motor Frame can be determined by the pump order number and or motor nameplate

CENTRIFUGAL PUMPS

CLOSE-COUPLED AG SERIES

☰ MENU



Repair Parts		A3X4-9 (3600 RPM)	Packing Seal Construction	
Figure No.	Part Description	Repair No.	Materials of Construction	
1	Volute Case (NPT) w/plugs	305565001	Cast iron, ASTM-A48 CL30	
Not Shown	Volute Case (Flange) w/plugs	305565002	Cast iron, ASTM-A48 CL30	
2	Impeller, 30 hp 2-pole, 6.875" trim	305565003	Cast iron, ASTM-A48 CL30	
2	Impeller, 40 hp 2-pole, 7.312" trim	305565004	Cast iron, ASTM-A48 CL30	
2	Impeller, 50 hp 2-pole, 7.875" trim	305565005	Cast iron, ASTM-A48 CL30	
2	Impeller, 60 hp 2-pole, 8.562" trim	305565006	Cast iron, ASTM-A48 CL30	
2	Impeller, 75 hp 2-pole, 9.000" trim	305565009	Cast iron, ASTM-A48 CL30	
3	Bracket, Motor	305565008	Cast iron, ASTM-A48 CL30	
11	Packing Seal Box	305448005	Cast iron, ASTM-A48 CL30	
12	Sleeve, Shaft	305449005	416 stainless steel	
13	Packing Ring Set	305448009	Graphite/cotton	
14	Lantern Ring	305448010	Teflon	
15	Packing Gland (2-Piece)	305448011	316 stainless steel	
35	Key, Impeller Shaft	305450006	301 stainless steel	
100A	O-Ring, Volute Case (2-pack)	305463232	Nitrile	
100B	O-Ring, Seal Box (2-pack)	305463013	Nitrile	
500A	Pipe Plug (4-pack)	305463020	Zinc-plated steel	
502	Grease fitting	305463015	Zinc-plated steel	
503	Slinger	305447008	Neoprene	
510	Hex Cap Screw, Impeller	305463185	17-4 stainless steel	
520	Washer, Impeller	305463255	300 series stainless steel	
529	Nut, Packing Gland (4-pack)	305463007	Zinc-plated steel	
530A	Hex Cap Screw, Motor Bracket (12 Pack)	305463208	Zinc-plated steel	
530B	Hex Cap Screw, Volute Case (12 Pack)	305463010	Zinc-plated steel	
530C	Hex Cap Screw, Seal Box (12 pack)	305463010	Zinc-plated steel	
531	Stud, Packing Gland (4-pack)	305463008	Zinc-plated steel	

MOTOR FITMENT

A3 X 4 - 9

Figure No.	3600	Frame	AK	Shaft Dia	Mtr Code
200	30 - 60HP	284-326JP	12.5	1.25	JP-3
	60 - 75HP	364-365JPZ/TCZ	12.5	1.25	JPZ-2P

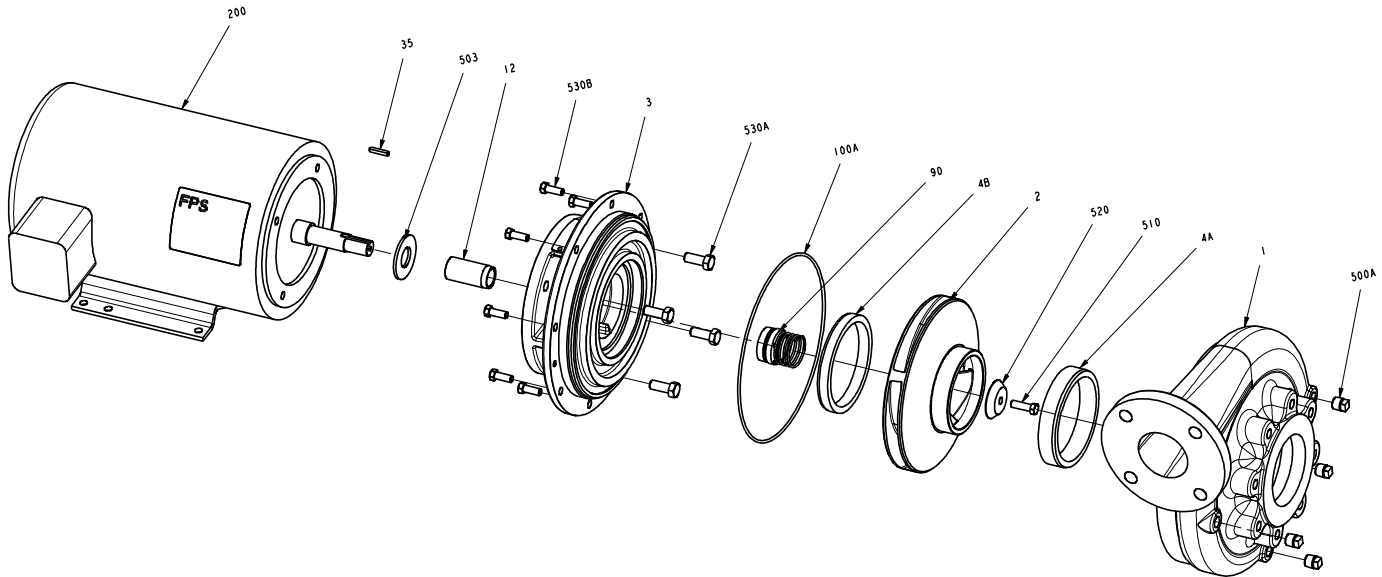
Refer to motor specifications page for replacement information

Motor Frame can be determined by the pump order number and or motor nameplate

CENTRIFUGAL PUMPS

CLOSE-COUPLED AG SERIES

MENU



Repair Parts		AL3 x4 -10		Mechanical Seal Construction		
Figure No.	Part Description	Repair No.			Materials of Construction	
		4.5AK Models	8.5AK Models	8.5AK Models 254/256 Frame		
1	Volute Case, Flange w/plugs	305411909			Cast iron, ASTM-A48 CL30	
2	Impeller, 5 hp 4-pole, 8.000" trim (.875" bore)	305410987			CA6NM stainless steel	
2	Impeller, 7.5 hp 4-pole, 9.250" trim (.875" bore)	N/A	305410988	N/A	CA6NM stainless steel	
2	Impeller, 10 hp 4-pole, 9.750" trim (.875" bore)	N/A	N/A	305410989	CA6NM stainless steel	
2	Impeller, 15 hp 4-pole, 10.250" trim (1.250" bore)	N/A	N/A	305410947	CA6NM stainless steel	
3	Motor Bucket	305411955	305411956	305411957	Cast iron, ASTM-A48 CL30	
4A	Wear Ring, Suction	305417906			SAE 660 Bronze	
4B	Wear Ring, Hub	305417925			SAE 660 Bronze	
12	Shaft Sleeve	305463248		305463249	416 stainless steel	
35	Key, Impeller Shaft	305463001		305463150	316 stainless steel	
90	Mechanical Shaft Seal	305463002		305463012	Carbon/ceramic/nitrile/316 stainless steel	
100A	O-Ring, Volute Case (2-Pack)	305418925			Nitrile	
500A	Pipe Plug (4-pack)	305463175			Zinc-plated steel	
503	Water Slinger	305450007		305447008	Neoprene	
510	Hex Cap Screw, Impeller	305463274		305463024	416 stainless steel	
520	Washer, Impeller	305419908		305463269	416 stainless steel	
530A	Hex Cap Screw, Motor Bracket (8-Pack) (12-Pack)	305463053	305463016		Zinc-plated steel	
530B	Hex Cap Screw, Volute Case (12-Pack)	305463010			Zinc-plated steel	

MOTOR FITMENT

AL3 X 4 - 10

Figure No.	1800	Frame	AK	Shaft Dia	Mtr Code
200	5HP	184JM	4.5	0.875	JM-1
	5 - 10HP	213 215JM	8.5	0.875	JM-2
	15HP	254JM	8.5	1.25	JM-3

Refer to motor specifications page for replacement information
 Motor Frame can be determined by the pump order number and or motor nameplate